

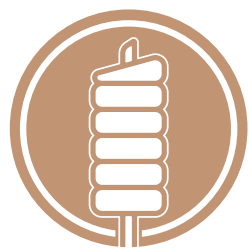


Trdelnik

Baumstrizel

Chimney
cake

Kurtos
Kalacs



doberkürtös

training academy, equipment & premium bakery mixes

www.kurtos-kalacs.com

PRICES:

- All prices are in Euros.
- Published prices do not include sales tax. (known as VAT, DDV, TVA, IVA, AFA etc). Sales tax is additional to the published prices & it is charged at the rate of the Republic of Slovenia where our business is registered. The current rate of VAT in The Republic of Slovenia is:
 - 22% on goods & services
 - 9.5% on food (Kurtos Kalacs EASY mix)
- If goods are shipped OUTSIDE of the EU, no VAT will be charged on the goods purchased.
- If goods are shipped WITHIN the EU, VAT will be charged at the current rate of the Republic of Slovenia UNLESS the buyer has a European VAT number, which in that case, no VAT will be charged on the goods purchased. EU VAT numbers MUST be verified on the EU web site: http://ec.europa.eu/taxation_customs/vies/

SHIPPING COSTS:

- Published prices DO NOT INCLUDE any packaging, insurance or shipping costs.
- To be able to quote any shipping costs, we first need to know EXACTLY what you would like to order, so that we can calculate the weight & dimensions of the consignment, as these factors, along with the final delivery address are what shipping costs will be calculated on.

TO RECEIVE A QUOTATION:

If you would like to receive a no obligation quotation or if you would like to place an order, please send an email to **info@kurtos-kalacs.com** with the following details:

- Detailed list of equipment you would like to order.
- Full name of the person who will receive the order when it arrives.
- Business name (if you have one).
- Invoice address.
- Shipping address.
- VAT (sales tax) number if you are inside the European Union & you have a tax number.
- Contact telephone number(s).

INCLUDED WITH BAKING MACHINE PURCHASE:

- USB Key containing, Step by step guide, reliable recipe & video tutorials.
- Comprehensive user manual for baking machines (in English).
- Easy to follow assembly manuals for accessories.

Gas grill 8

1690.00€ (excl. VAT)

Model No:	DK-GG8
Capacity:	8 pieces in one bake
Ave. production:	100 pieces/h
Weight:	28kg
Size:	H: 30cm W: 108cm D: 55cm
Gas rated power:	4 x 3.5kW per hour
Gas consumption:	4 x 0.24kg per hour
Gas pressure:	30 mbar
Material:	Brushed stainless steel



Gas grill 8 stand

275.00€ (excl. VAT)

Weight: 18kg

Size: H: 75cm W: 100cm D: 42cm

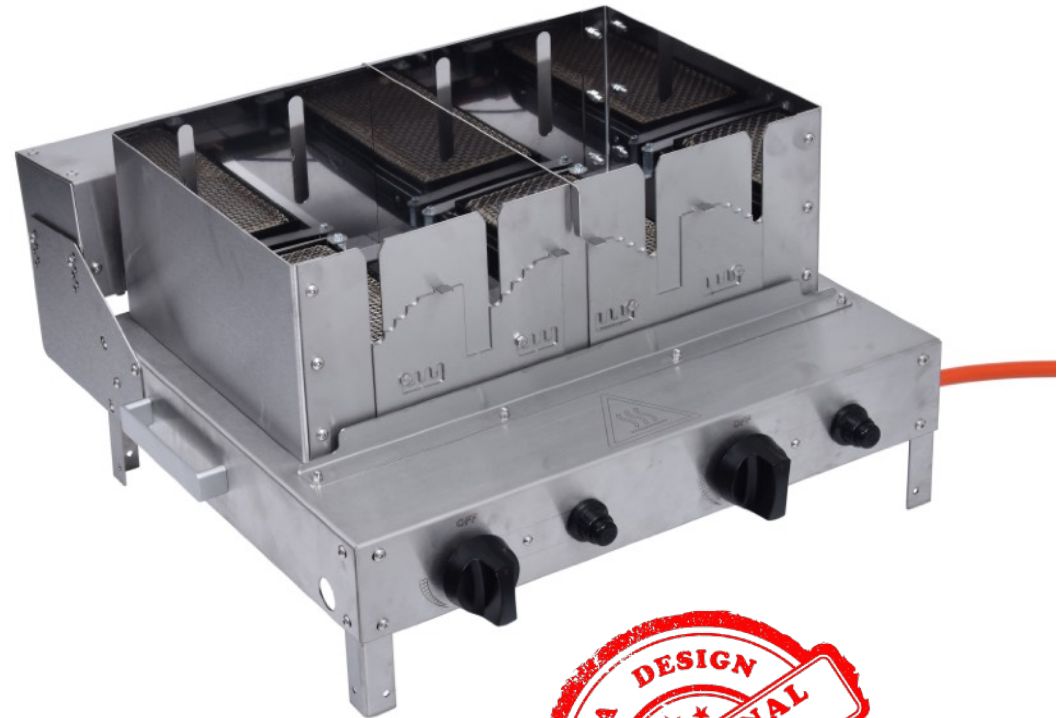
Material: Stainless steel



Gas grill 4

1390.00€ (excl. VAT)

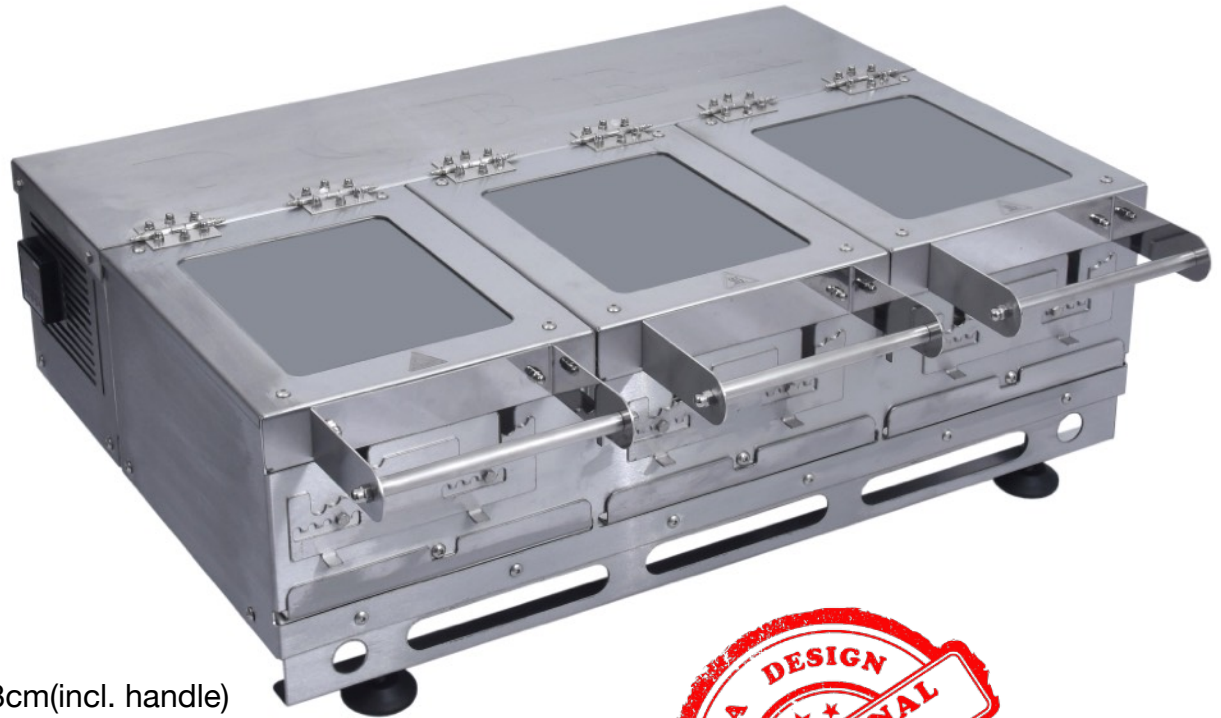
Model No: DK-GG4
Capacity: 4 pieces in one bake
Ave. production: 50 pieces/h
Weight: 17kg
Size: H: 30cm W: 58cm D: 55cm
Gas rated power: 2 x 3.5kW per hour
Gas consumption: 2 x 0.24kg per hour
Gas pressure: 30 mbar
Rated electrical power: 37W
Material: Brushed stainless steel



Electric grill 6 ECO

1690.00€ (excl. VAT)

Model No: DK-E6 ECO DIGITAL
Capacity: 6 pieces in one bake
Ave. production: 60 pieces/h
Glass: **heat reflective glass**
Weight: 24kg
Size: H: 24cm W: 70cm D: 58cm(incl. handle)
Rated power: 3 x 1,0kW
Material: Brushed stainless steel



Electric oven 8 ECO

1390.00€ (excl. VAT)

Model No:	DK-E8 ECO DIGITAL
Capacity:	8 pieces in one bake
Ave. production:	70 pieces/h
Glass:	heat reflective glass
Weight:	18kg
Size:	H: 55cm W: 24cm D: 42cm
Rated power:	2 x 1,6kW
Material:	Brushed stainless steel



Electric oven 4

1090.00€ (excl. VAT)

Model No:	DK-E4 DIGITAL
Capacity:	4 pieces in one bake
Ave. production:	35 pieces/h
Glass:	heat reflective glass
Weight:	12kg
Size:	H: 32cm W: 24cm D: 42cm
Rated power:	1,6kW
Material:	Brushed stainless steel



Electric oven 12 ECO

1650.00€ (excl. VAT)

Model No:	DK-E12 ECO DIGITAL
Capacity:	12 pieces in one bake
Ave. production:	90 pieces/h
Glass:	heat reflective glass
Weight:	27kg
Size:	H: 79cm W: 26cm D: 42cm
Rated power:	3 x 1,6kW
Material:	Brushed stainless steel
Voltage:	380-400V



Kurtos bakery mix - ORIGINAL



R1 premium original - concentrate mix

Neto weight: 10kg

Servings per bag: 440 portions / 170g

1 - 24 bags: **49.00€** (excl. VAT) / per bag

25+ bags: **45.00€** (excl. VAT) / per bag



R2 premium original - complete mix

Neto weight: 10kg

Servings per bag: 88 portions / 170g

1 - 24 bags: **25.00€** (excl. VAT) / per bag

25+ bags: **21.00€** (excl. VAT) / per bag

Kurtos bakery mix - VEGAN STYLE



R3 vegan style - concentrate mix

Neto weight: 10kg

Servings per bag: 440 portions / 170g

1 - 24 bags: **71.00€** (excl. VAT) / per bag

25+ bags: **67.00€** (excl. VAT) / per bag

www.kurtos-kalacs.com



R4 vegan style - complete mix

Neto weight: 10kg

Servings per bag: 88 portions / 170g

1 - 24 bags: **31.00€** (excl. VAT) / per bag

25+ bags: **27.00€** (excl. VAT) / per bag

Wooden roll (beech wood)



Re-designed & engineered front pin resulting in:

- Smoother rotation.
- Less resistance from rotary motor screw point.
- Less chance of damaging rotary motor when removing.



18.00€ (excl. VAT)

Wooden roll - standard

Cooking area: 20cm

Weight: 560g

Diameter: 5.5cm



18.00€ (excl. VAT)

Wooden roll - long thin

Cooking area: 20cm

Weight: 324g

Diameter: 3.5cm



18.00€ (excl. VAT)

Wooden roll - small

Cooking area: 13cm

Weight: 324g

Diameter: 3.5cm (conical)

Wooden CONE roll (beech wood)



Re-designed & engineered front pin resulting in:

- Smoother rotation.
- Less resistance from rotary motor screw point.
- Less chance of damaging rotary motor when removing.



18.00€ (excl. VAT)

Wooden roll - cone

Cooking area: 13cm

Weight: 354g

Diameter: 2-5.5cm

18.00€ (excl. VAT)

Wooden roll - cone BIG

Cooking area: 16cm

Weight: 556g

Diameter: 2-6cm

Stainless steel roll



Re-designed & engineered front pin resulting in:

- Smoother rotation.
- Less resistance from rotary motor screw point.
- Less chance of damaging rotary motor when removing.



40.00€ (excl. VAT)

Stainless steel roll - standard

Cooking area: 20cm
Weight: 640g
Diameter: 5cm



35.00€ (excl. VAT)

Stainless steel roll - small

Cooking area: 20cm
Weight: 474g
Diameter: 3cm

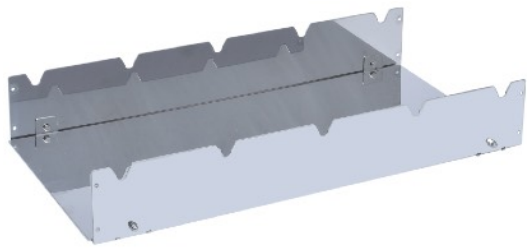


35.00€ (excl. VAT)

Stainless steel roll - mini

Cooking area: 20cm
Weight: 446g
Diameter: 2cm

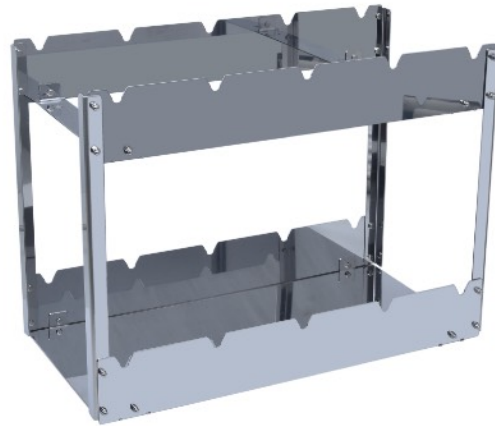
Roll racks



45.00€ (excl. VAT)

Roll surface rack - single

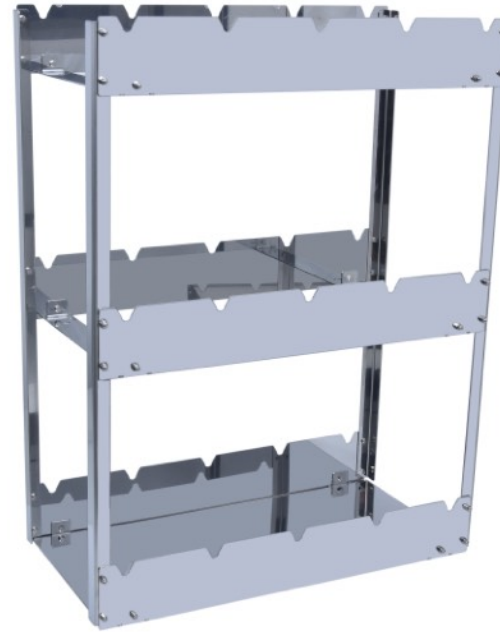
Capacity: 5 cooking rolls
Size: H: 7.5cm W: 50cm D: 27.5cm
Material: Stainless steel



95.00€ (excl. VAT)

Roll surface rack - double

Capacity: 10 cooking rolls
Size: H: 36cm W: 50cm D: 27.5cm
Material: Stainless steel



130.00€ (excl. VAT)

Roll surface rack - triple

Capacity: 15 cooking rolls
Size: H: 65cm W: 50cm D: 27.5cm
Material: Stainless steel

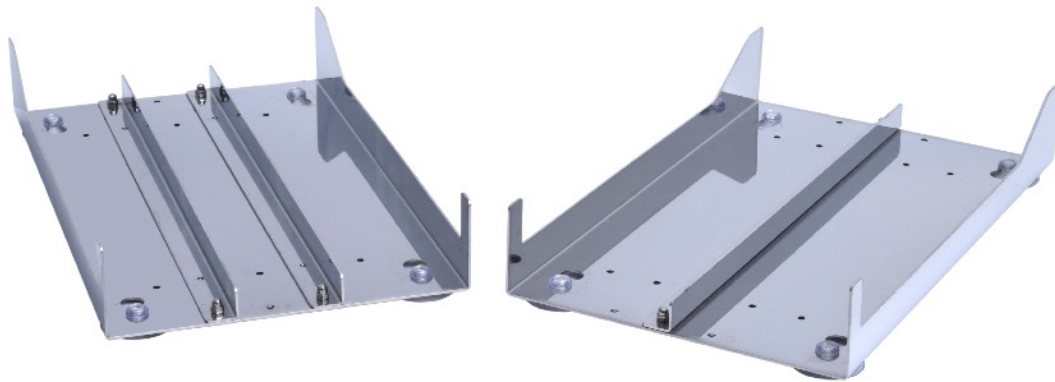


80.00€ (excl. VAT)

Roll wall rack

Capacity: 10 cooking rolls
Size: H: 103cm W: 25cm D: 13cm
Material: Stainless steel

Cutters

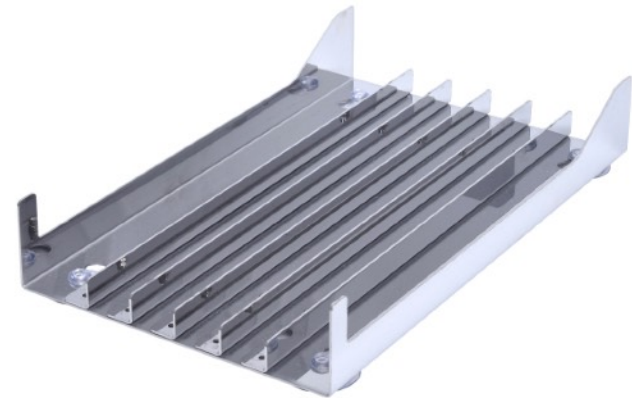


80.00€ (excl. VAT)

Kurtos cutter

Size: H: 5.5cm L: 35cm W: 21.5cm

Material: Stainless steel



80.00€ (excl. VAT)

Kurtos cutter - party

Size: H: 5.5cm L: 35cm W: 21.5cm

Material: Stainless steel

Kurtos spanner



15.00€ (excl. VAT)

Kurtos spanner

Material: Stainless steel



Cone holders



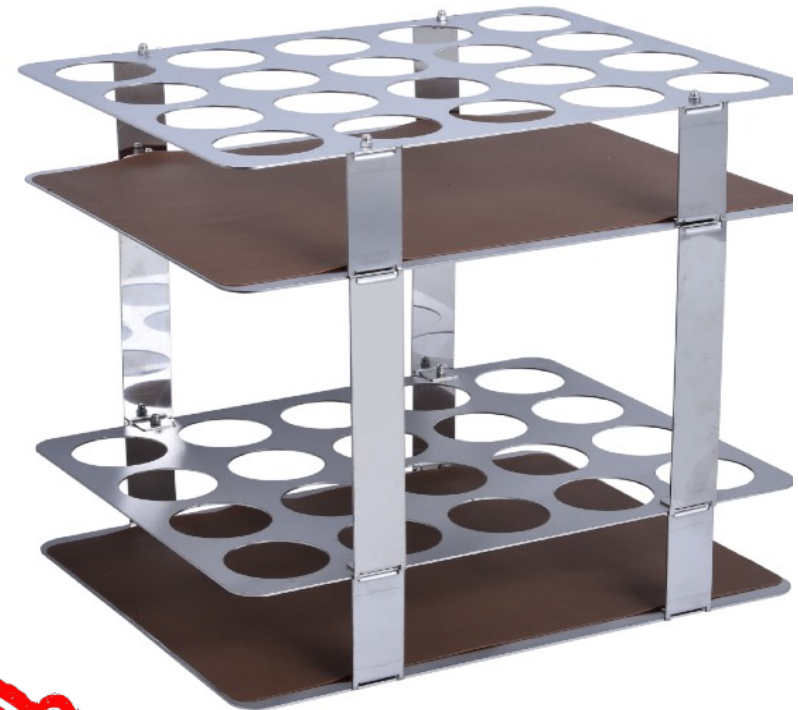
120.00€ (excl. VAT)

Cone holder - single

Capacity: 20 cones

Size: H: 8cm W: 40cm D: 30cm

Material: Stainless steel



230.00€ (excl. VAT)

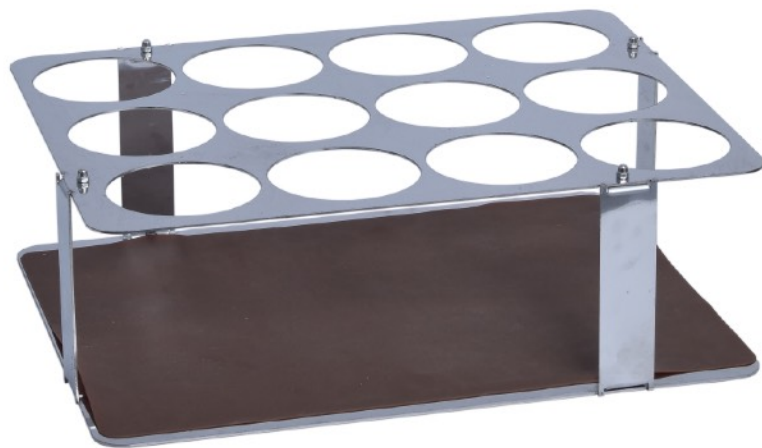
Cone holder - double

Capacity: 40 cones

Size: H: 32cm W: 40cm D: 32cm

Material: Stainless steel

Standard holder



120.00€ (excl. VAT)

Standard holder

Capacity: 12 standard

Size: H: 10cm W: 40cm D: 30cm

Material: Stainless steel

3D Kurtos model



350.00€ (excl. VAT)

3D Kurtos model

Weight: 2,4kg

Size: H: 80cm

Diameter: 40cm



Toppings tray frame



230.00€ (excl. VAT)

Toppings tray frame

Capacity: 6 x Gastronorm (GN) food pans 1/2 (GN):
325mm length x 265mm width x 65mm deep

Size: H: 35cm W: 82cm D: 35 - 55cm (adjustable)

Material: Stainless steel

**PLEASE NOTE: PANS / TRAYS & LIDS ARE NOT INCLUDED;
YOU NEED TO PURCHASE THESE SEPARATELY FROM A
LOCAL CATERING SUPPLY COMPANY.**

Kurtos mascot



290.00€ (excl. VAT)

Kurtos mascot

Weight: 3kg
Height: 105cm
Diameter: 52cm



Kurtos paper serving



120.00€ (excl. VAT)

Kurtos paper cones

Quantity: 4000 pieces

Material: FSC certified,
greaseproof paper

Weight: 10kg (4000 pieces)



Kurtos serving bags

65.00€ (excl. VAT)

Kurtos serving bags

Quantity: 2000 pieces

Material: Polypropylene (PP)

Weight: 5,2kg (2000 pieces)

Length: 35cm

Width: 16cm



Chocolate melters



190.00€ (excl. VAT)

Chocolate melter 1,5L (230V)

Capacity: 1.5L

Size: H: 8cm W: 40cm D: 30cm



220.00€ (excl. VAT)

Chocolate melter 1,5L (120V)

Capacity: 1.5L

Size: H: 8cm W: 40cm D: 30cm